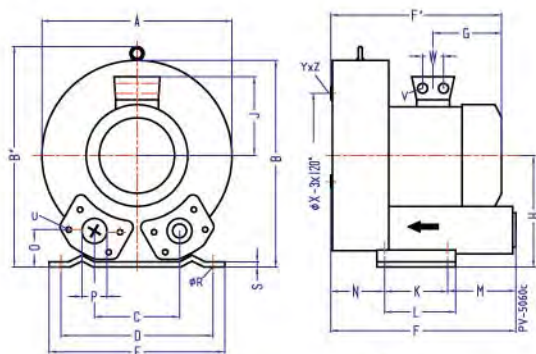


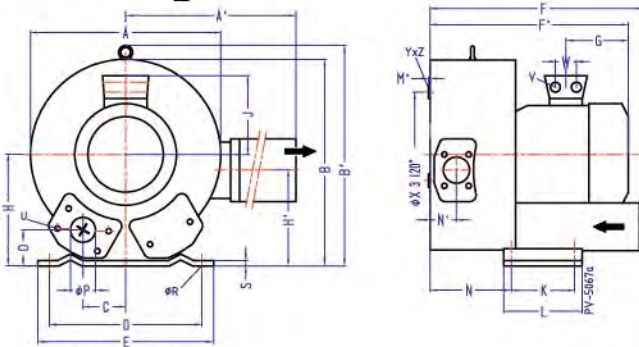
侧风道风机尺寸 YX-81D.,YX-82D.,YX-83D .,YX-84D .(mm)

安装尺寸图: YX-81/84

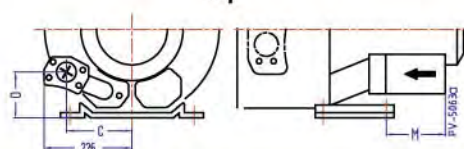
YX-81D/YX-83D



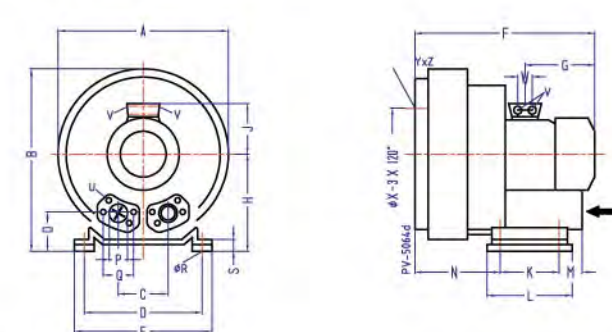
YX-82S-1 -2



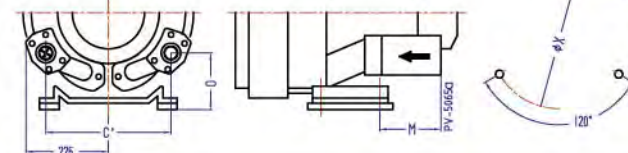
YX-82S-3 -4



YX-84S-1



YX-84S-2



Type	Phases	A	A'	B	B'	C	D	E	F	F'	G	H	H'	J	K	L	M	N	N'	O	φP	φR	S	V	W	φX	YxZ	X-Holes
YX-81D-1	3~	451	-	461	509	152	356	394	433	450	230	240	-	148	170	217	140	124	-	65	G2/2	15	6	4 x M32x1.5	42	286	M12x20	0°/120°/240°
YX-81D-2	3~									477	226			167														
YX-81D-3	3~																											
YX-82S-1	3~	500	549	490	509	76			545	589			199															51.4°/120°/240°
YX-82S-2	3~																											
YX-82S-3	3~									694	318			197										4 x M40x1.5	54			
YX-82S-4	3~																											
YX-83S-1	3~	451	-	461	509	152			449	466	230			148			139	164		65				4 x M32x1.5	42			0°/120°/240°
YX-83S-2	3~									492	247			167														
YX-83S-3	3~																											

Type	Phases	A	B	C	C'	D	E	F	G	H	J	K	L	M	N	O	φP	φR	S	V	W	φX	YxZ	X-Holes	
YX-84S-1	3~	500	550	152	-	356	394	589	247	300	167	170	217	-	236	125	G2/2	15	66	4 x M32x1.5	42	286	M12x20	0°/120°/240°	
YX-84S-2	3~				336			694	318		197			312	212	165				4 x M40x1.5	54				